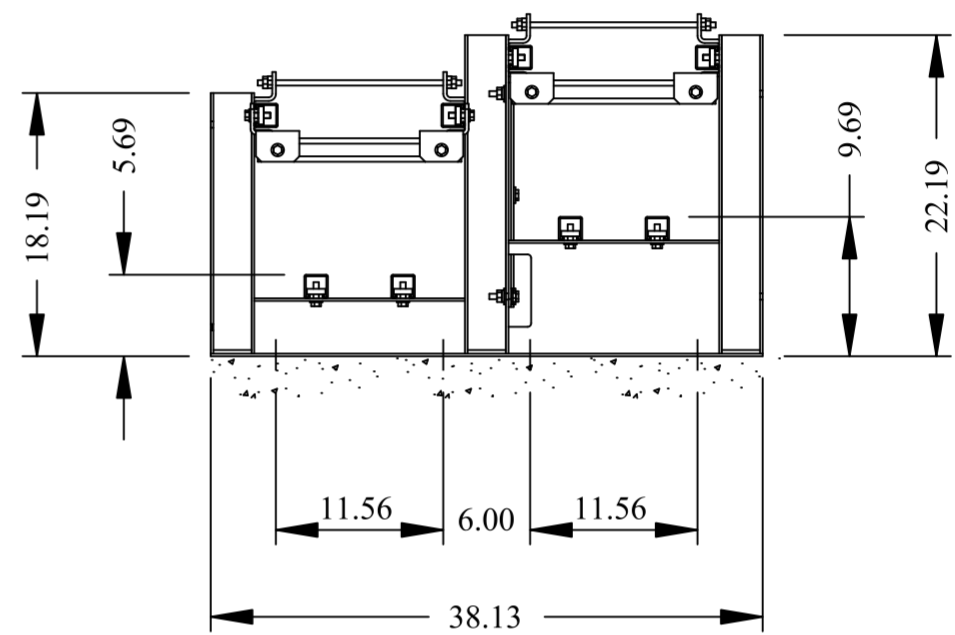
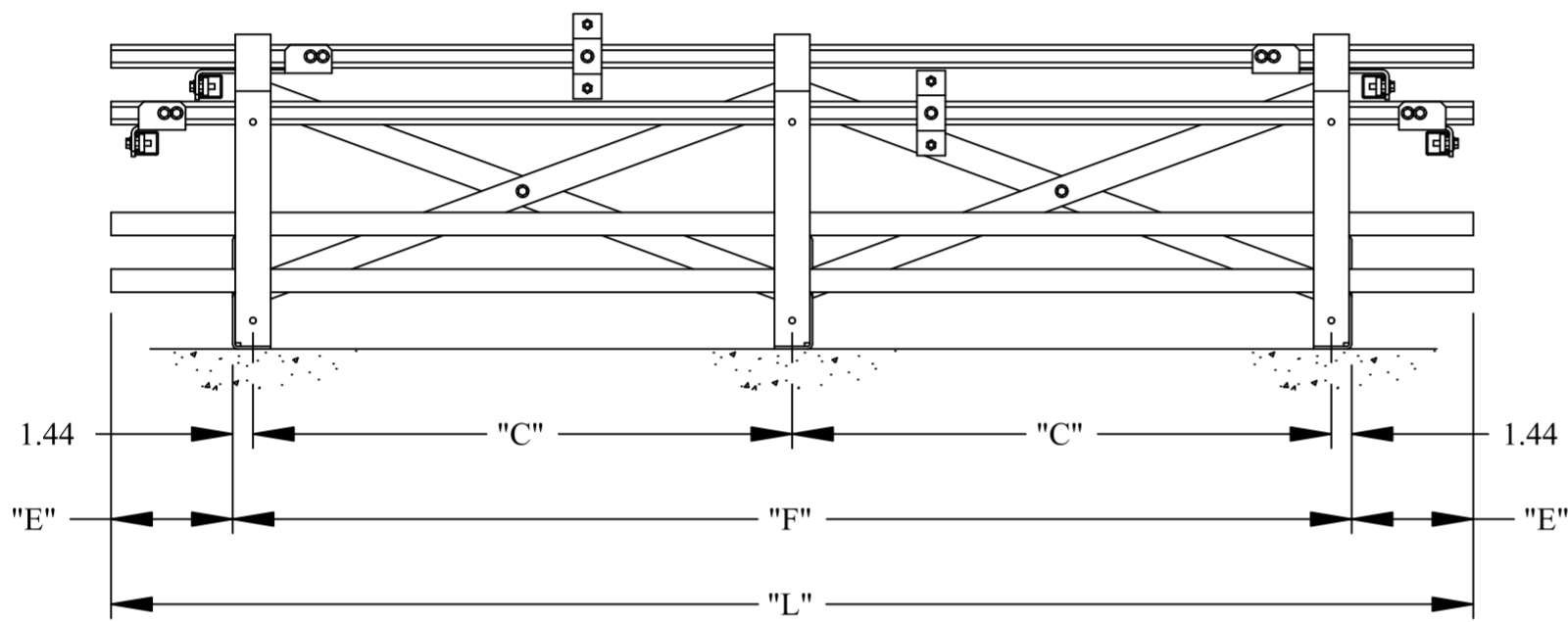


2

1

B

B




A

A

CATALOG NO.	AZMS NO.	"L" (in.)	"F" (in.)	"E" (in.)	"C" (in.)	WT. (lbs.)	# FRAMES
UC2L2S036AP	UD16-036	36.00	26.88	4.56	24.00	138	2
UC2L2S048AP	UD16-048	48.00	32.88	7.56	30.00	154	
UC2L2S060AP	UD16-060	60.00	44.88	7.56	42.00	170	
UC2L2S072AP	UD16-072	72.00	56.88	7.56	54.00	186	
UC2L2S084AP	UD16-084	84.00	56.88	13.56	54.00	202	3
UC2L2S096AP	UD16-096	96.00	86.88	4.56	42.00	257	
UC2L2S108AP	UD16-108	108.00	86.88	10.56	42.00	273	
UC2L2S120AP	UD16-120	120.00	110.88	4.56	54.00	289	
UC2L2S132AP	UD16-132	132.00	110.88	10.56	54.00	305	4
UC2L2S144AP	UD16-144	144.00	128.88	7.56	42.00	367	
UC2L2S156AP	UD16-156	156.00	128.88	13.56	42.00	383	
UC2L2S168AP	UD16-168	168.00	146.88	10.56	48.00	399	
UC2L2S180AP	UD16-180	180.00	164.88	7.56	54.00	415	5
UC2L2S192AP	UD16-192	192.00	164.88	13.56	54.00	431	
UC2L2S204AP	UD16-204	204.00	194.88	4.56	48.00	487	
UC2L2S216AP	UD16-216	216.00	194.88	10.56	48.00	503	
UC2L2S228AP	UD16-228	228.00	218.88	4.56	54.00	519	5
UC2L2S240AP	UD16-240	240.00	218.88	10.56	54.00	535	

RAIL OPTIONS, IDENTIFIED BY CATALOG NO. SUFFIX:
 AP - 2 PAINTED RAILS PER STEP (STANDARD)
 A3RP - 3 PAINTED RAILS PER STEP

TITLE: RACK, UBC ZONE 2L, 2 STEP		
 Power/Full Solutions™		RESERVE POWER READING, PA. 19605
THIS DRAWING AND THE INFORMATION CONTAINED THEREON IS SUBMITTED CONFIDENTIALLY AND IS THE PROPERTY OF EnerSys. USE, REPRODUCTION OR DISCLOSURE OF THE CONTENT OF THIS DRAWING OR ANY PORTION THEREOF FOR ANY PURPOSE MUST BE APPROVED IN WRITING BY EnerSys.		
BATTERY: CA, CC, CX	CODE: UD16	REF.: N/A
RACK FAMILY: UC2L2SxxxAP		REV. A
DO NOT SCALE DRAWING		DATE: 06/11/2009

2

1